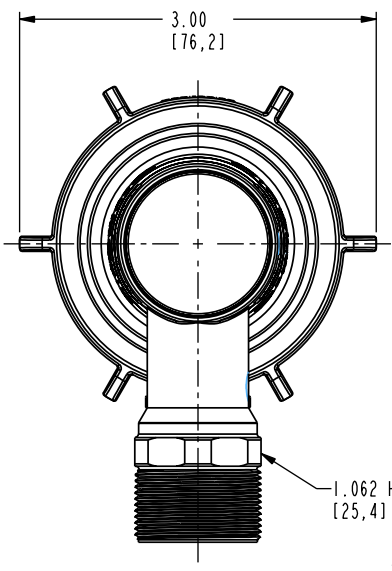
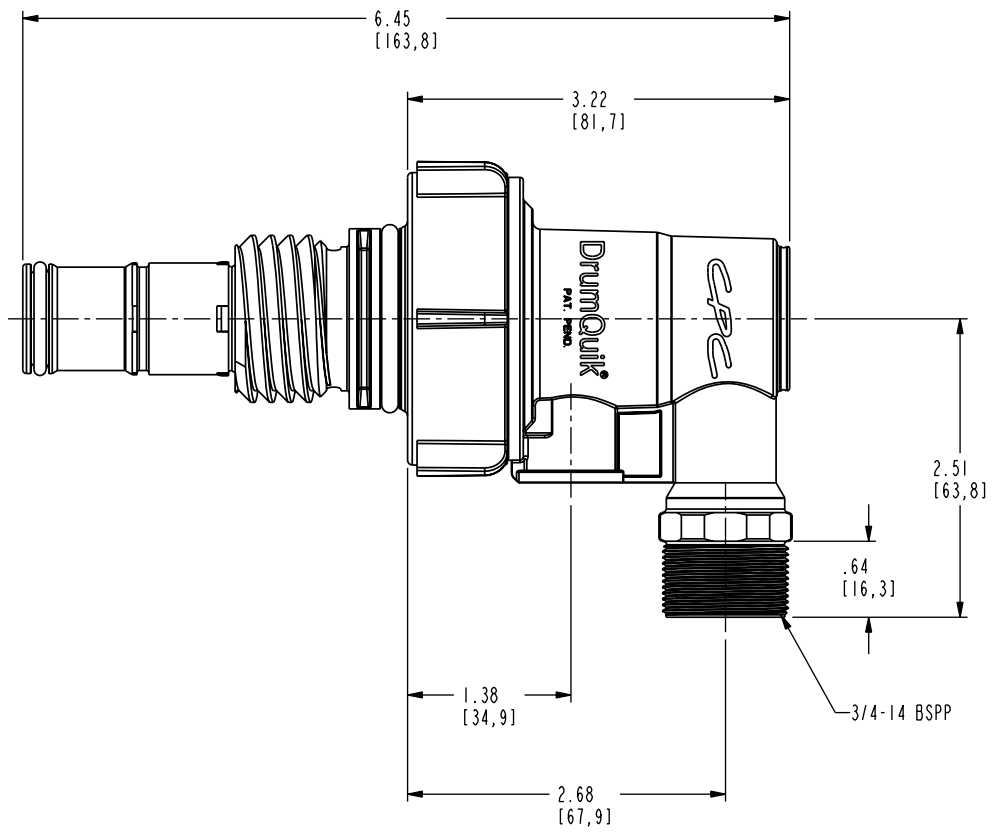


DWG NO: DQPRO120712XXX

**CONFIDENTIAL**  
 THIS PRINT CONTAINS PROPRIETARY INFORMATION  
 NO REPRODUCTION OR DISCLOSURE OF THIS DOCUMENT  
 SHALL BE MADE WITHOUT AUTHORIZATION FROM  
 COLDER PRODUCTS COMPANY



NOTES:

I. MATERIAL: MAJOR COMPONENTS: POLYPROPYLENE  
 SPRING: SEE TABLE  
 SEALS: SEE TABLE

207	FKM	HASTELLOY C
206	EPDM	HASTELLOY C
202	FKM	316 SST
N/A (STANDARD)	EPDM	316 SST
OPTION SUFFIX	SEAL MAT'L	SPRING MAT'L

DQPRO120712XXX

OPTION SUFFIX

<b>CPC</b> ™ COLDER PRODUCTS COMPANY		
PROJECT 5771	COUPLER ELBOW 3/4 BSPP DQPRO CUSTOMER DRAWING	
DWG BY: GJH	DATE: 09-29-06	CHKD BY:
MATL/FIN: SEE ABOVE		DWG NO: DQPRO120712XXX